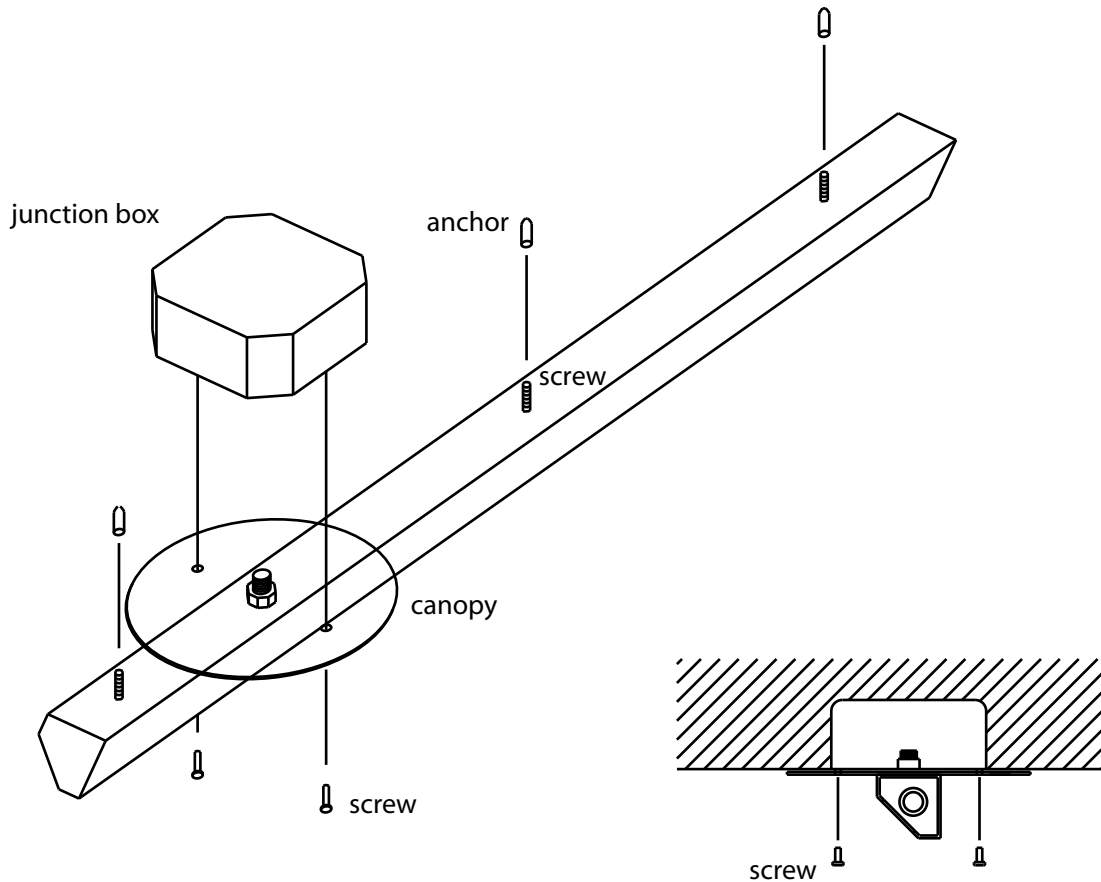


INSTRUCTIONS ON INSTALLING WALLWASHERS - WWH02

MODELS: Minilux VE (WW01), Luxline III (WW03), Minilux Quartz Shield (WW11)



INSTRUCTIONS ON CHANGING BULBS

- Step 1** Turn knob or screw counter clockwise
- Step 2** Lift bracket to vertical position
- Step 3** Always hold bulbs with enclosed plastic envelope. Insert bulb into socket. Push and turn clockwise until it locks
- Step 4** Push bracket back to horizontal position and refasten screw

