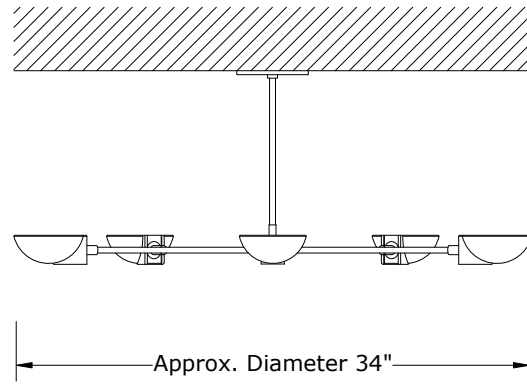


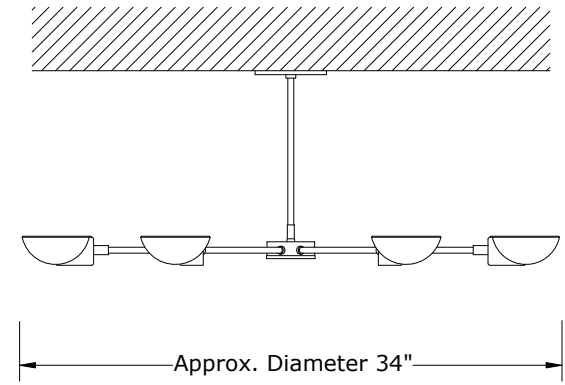
3 Spoke Front View

10" Stem Drop  
(Specify Stem: 10", 16",  
or Custom Stem, Min. 10")



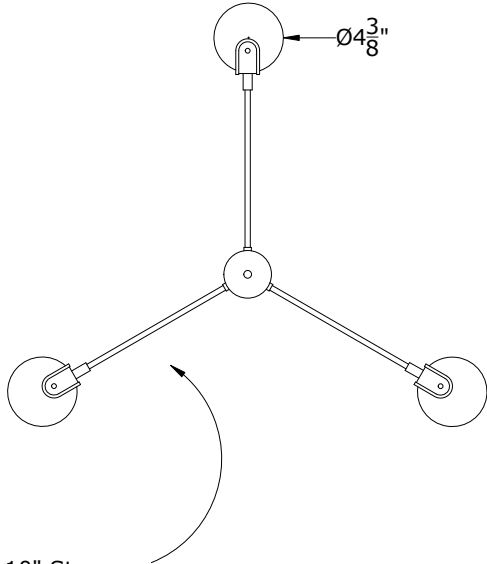
5 Spoke Front View

10" Stem Drop  
(Specify Stem: 10", 16",  
or Custom Stem, Min. 10")



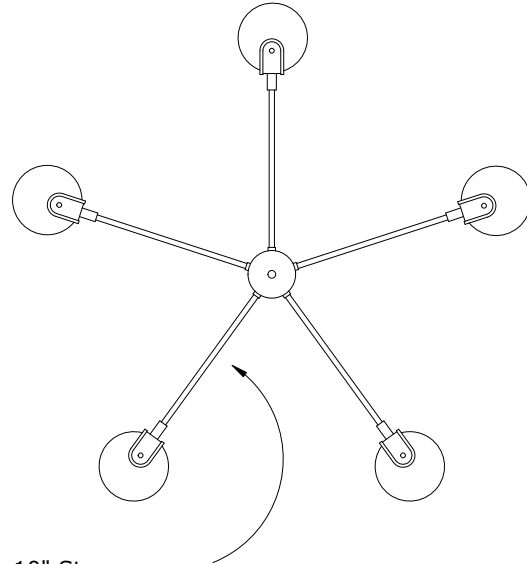
6 Spoke Front View

10" Stem Drop  
(Specify Stem: 10", 16",  
or Custom Stem, Min. 10")



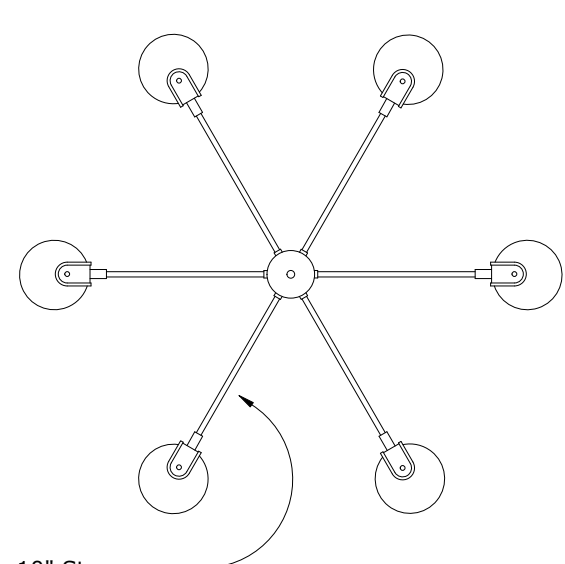
10" Stem  
(Specify Stem 2", 6", 10")

Reflected Ceiling Plan



10" Stem  
(Specify Stem 2", 6", 10")

Reflected Ceiling Plan



10" Stem  
(Specify Stem 2", 6", 10")

Reflected Ceiling Plan