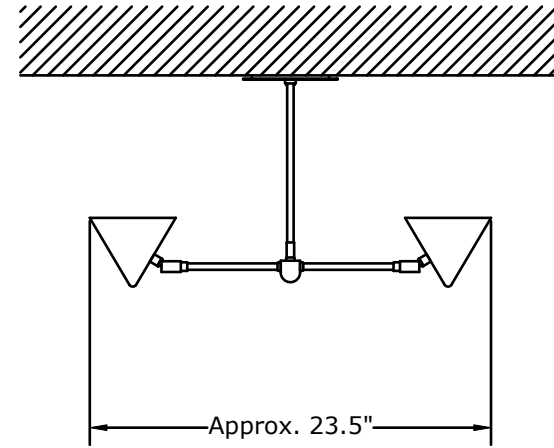
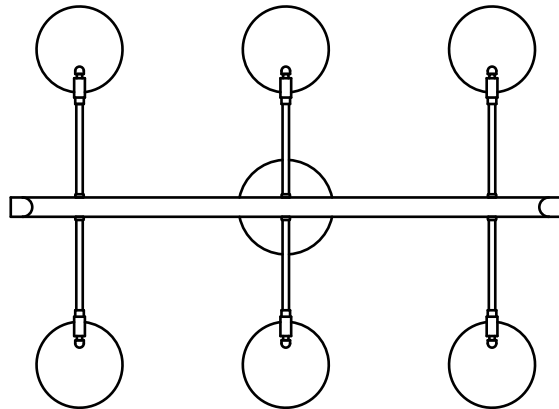


Front View
10" Stem (16" Stem Also Available)



Side View



Reflected Ceiling Plan

CH101

Chandeliers Wagram "Aquila"

Scale: 1" = 1'-0"

Not For Construction

Modulightor, Inc.
Customized Modern Lighting

T (212) 371 0336 | F (212) 371 0335
246 East 58th Street New York, NY 10022
modulightor.com