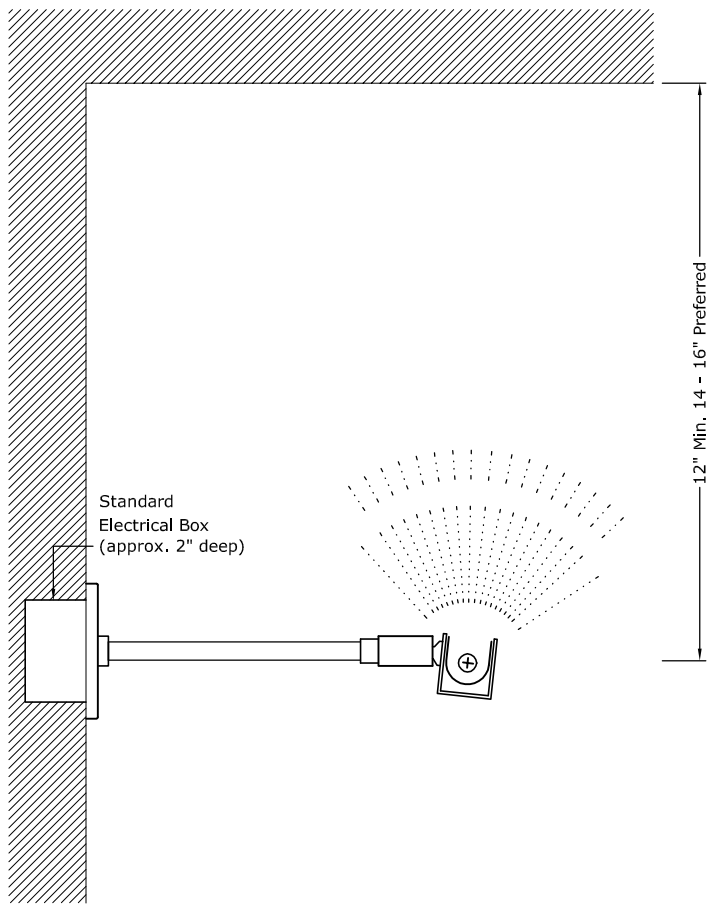
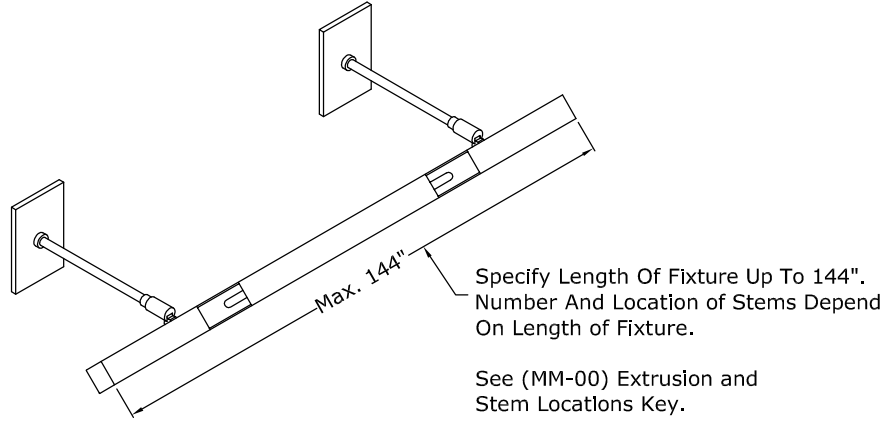


(Specify Stem 6", 10", 16" or Custom Stem w/ Length Between 6"- 16")



Note:
MM01B Mounting Method Depicted.
See Mounting Methods For Other Options.

LS01
Linear Sconce - Minilux

SCALE: 3" = 1'-0"

MODULIGHTOR
customized modern lighting
246 East 58th Street
New York, NY 10022
T (212) 371 0336 | F (212) 371 0335
modulightor.com