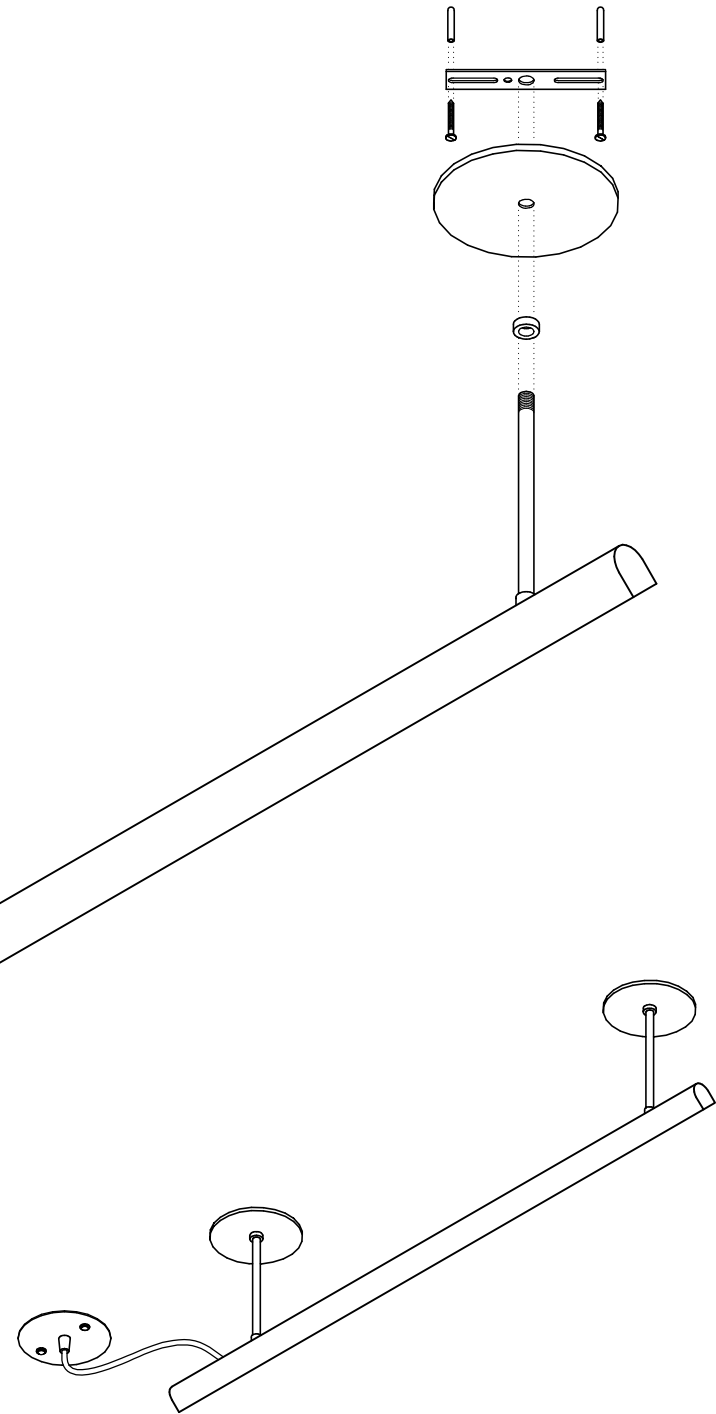
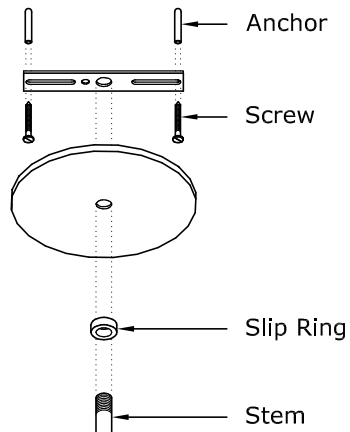


Axonometric View



Assembled Fixture

# MM08C

Assembly For Bicycle Cable And Stem