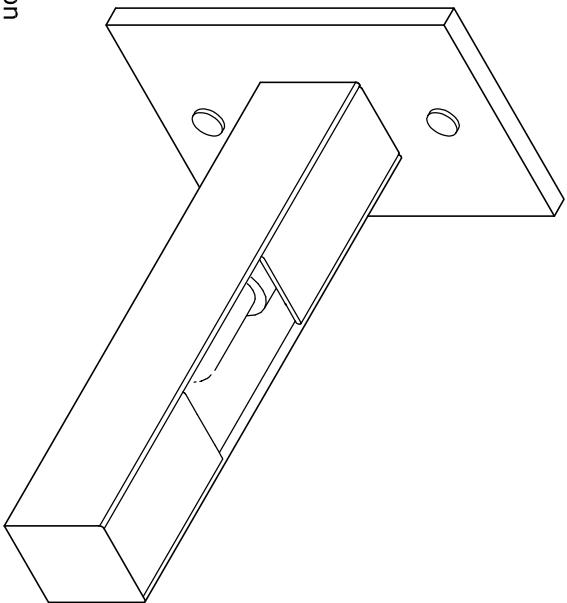
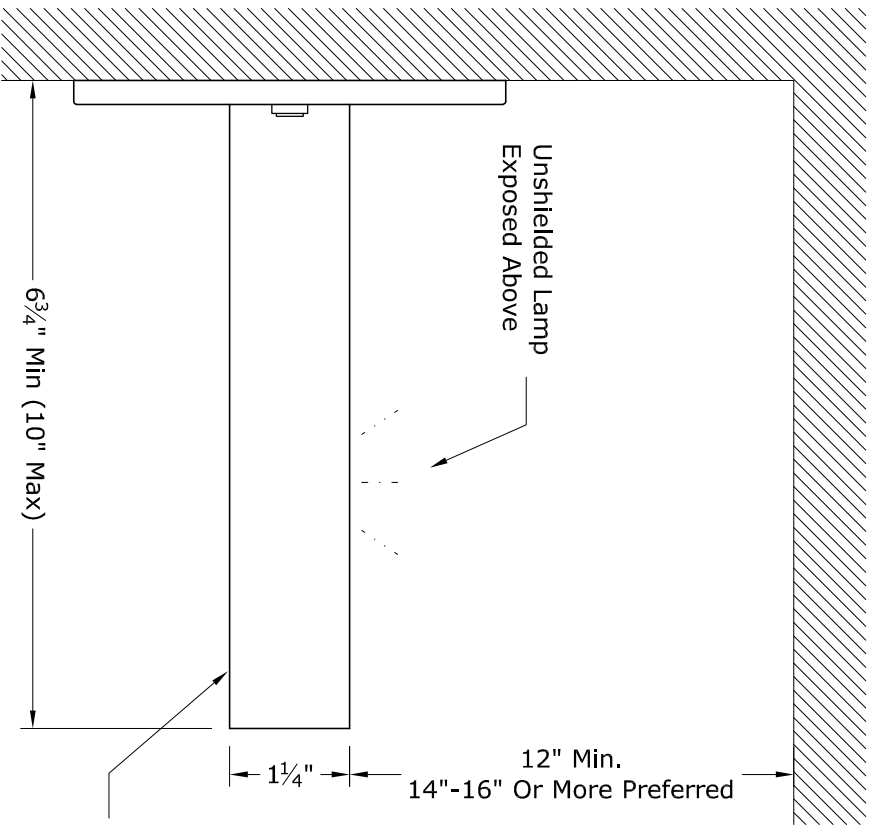


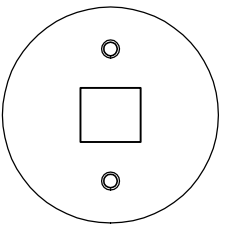
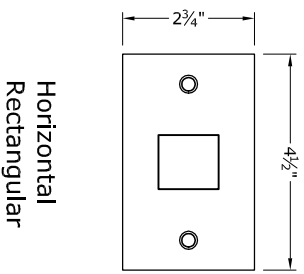
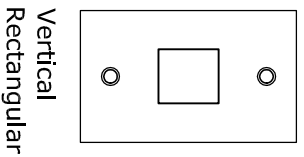
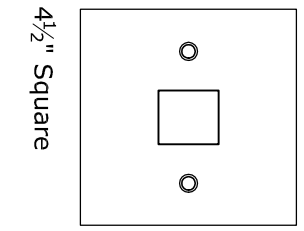
Notes:
 MM01A Mounting Method Depicted.
 See Mounting Methods For Other Options.



Side View

Isometric View

Mounting Plate Options:



MODULIGHTOR

customized modern lighting
 246 East 58th Street
 New York, NY 10022
 T (212) 371 0336 | F (212) 371 0335
 modulightor.com

SC01
 Sconce - Minilux

SCALE: 6" = 1'-0" / 3" = 1'-0"