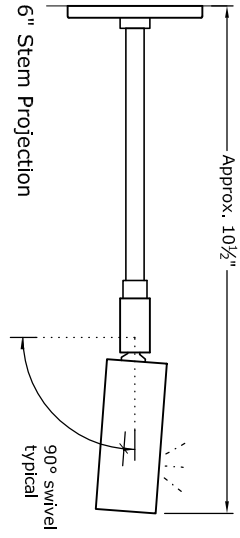
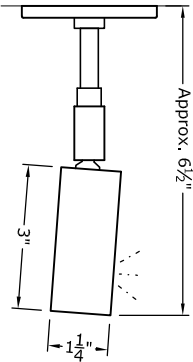


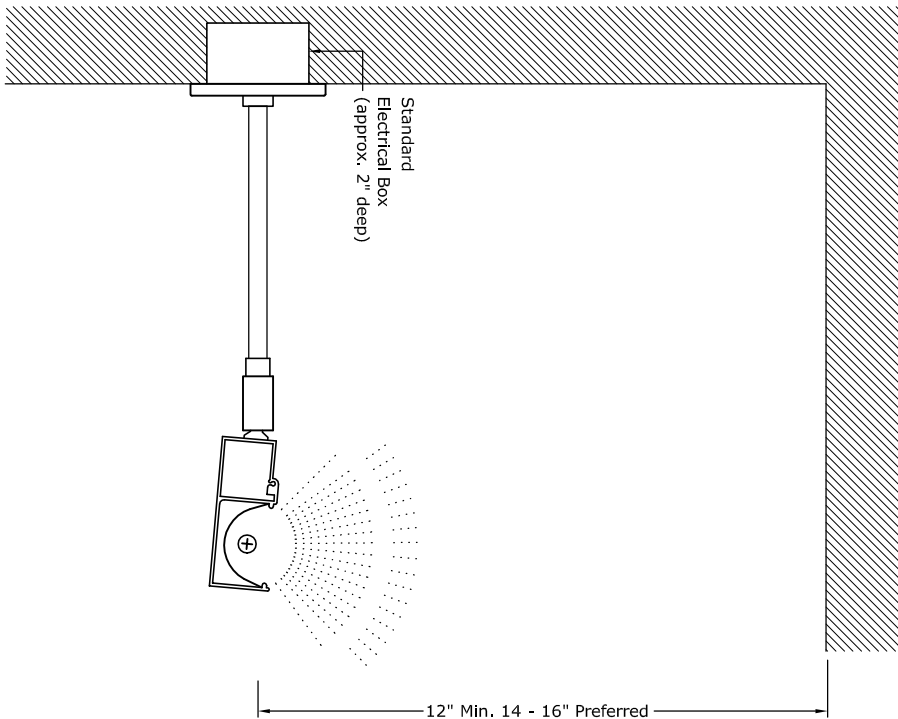
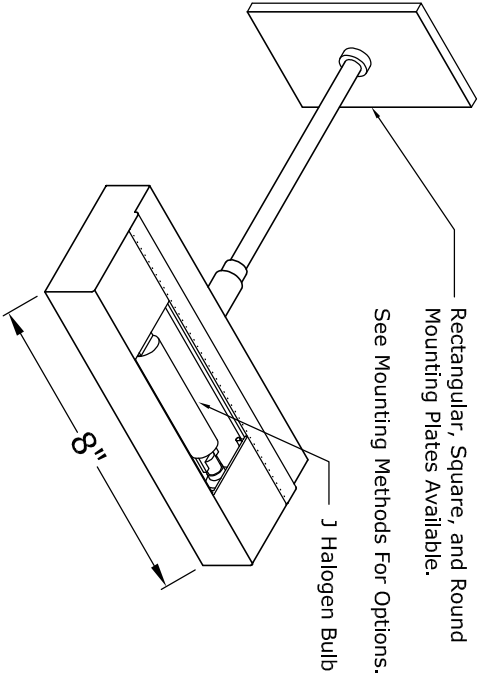
10" Stem Projection Recommended



6" Stem Projection



2" Stem Projection  
(Specify Stem 2", 6", 10" or Custom Stem)



Note:  
MM01B Mounting Method Depicted.  
See Mounting Methods For Other Options.

**MODULIGHTOR**

customized modern lighting  
246 East 58th Street  
New York, NY 10022  
T (212) 371 0336 | F (212) 371 0335  
modulightor.com

SC04  
Sconce - Luxline I

SCALE: 3" = 1'-0"