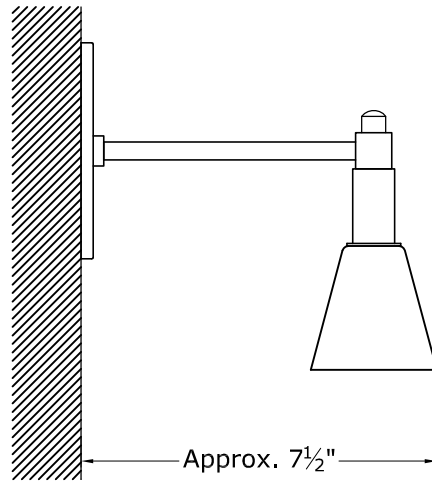
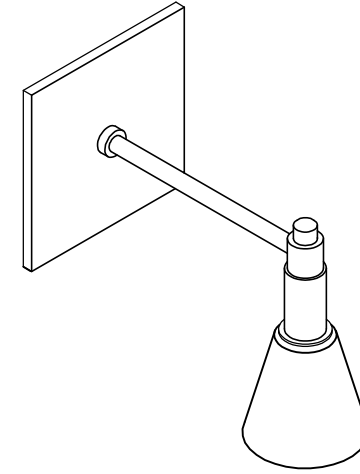


2" Stem



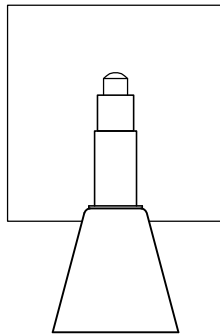
6" Stem

Note:
MM01B Mounting Method Depicted.
See Mounting Methods For Other Options.

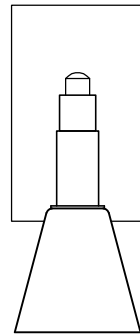


Isometric View

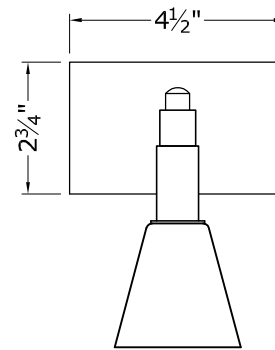
Mounting Plate Options:



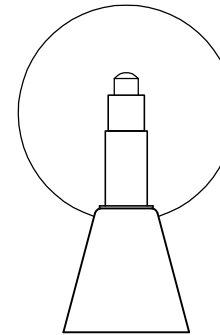
4 1/2" Square



Vertical Rectangular



Horizontal Rectangular



4 1/2" Round

SC105

Sconce - Lucci A

SCALE: 3" = 1'-0"

MODULIGHTOR
customized modern lighting
246 East 58th Street
New York, NY 10022
T (212) 371 0336 | F (212) 371 0335
modulightor.com