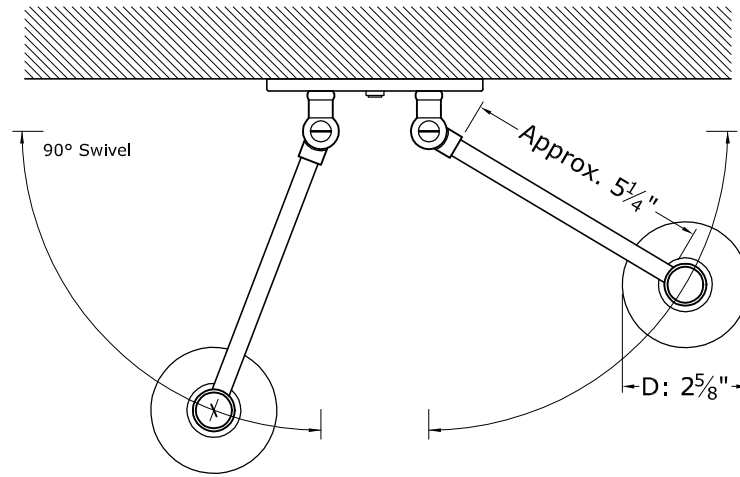
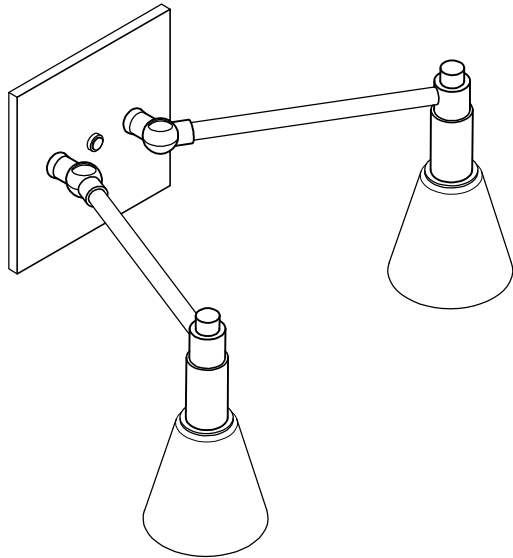


Side View



Plan View

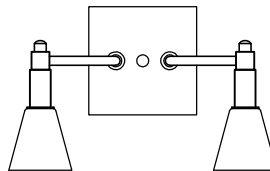


Isometric View

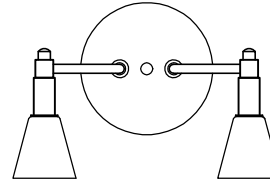
Notes:
MM01A and MM01C Mounting Method Depicted.
Electrical Box Must be Specified Upon Order.

Mounting Plate Options:

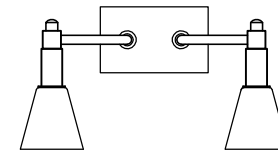
4 1/2" Square
(Central Mounting Cap)



5 1/2" Round
(Central Mounting Cap)



4 1/2" x 2 3/4" Rectangular
(Screws On Side)



SC107

Sconce - Lucci C

SCALE: 3" = 1'-0" / 1 1/2" = 1'-0"

MODULIGHTOR
customized modern lighting
246 East 58th Street
New York, NY 10022
T (212) 371 0336 | F (212) 371 0335
modulightor.com