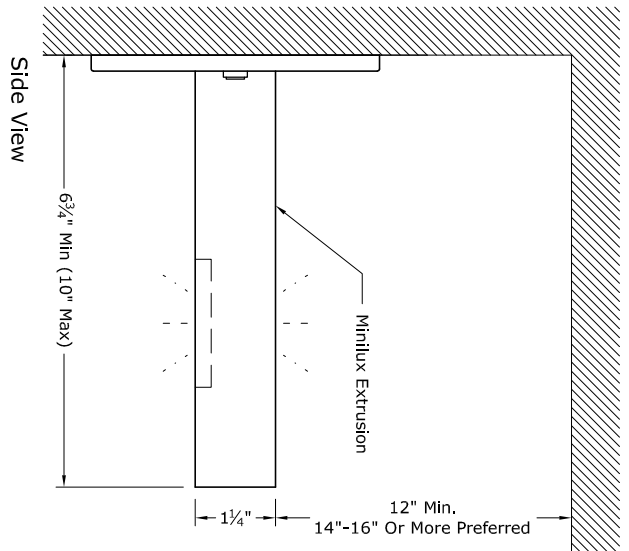
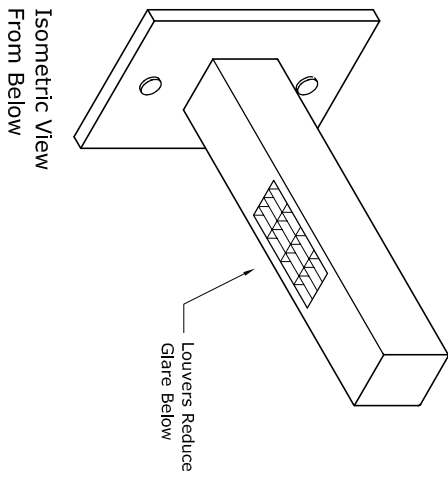
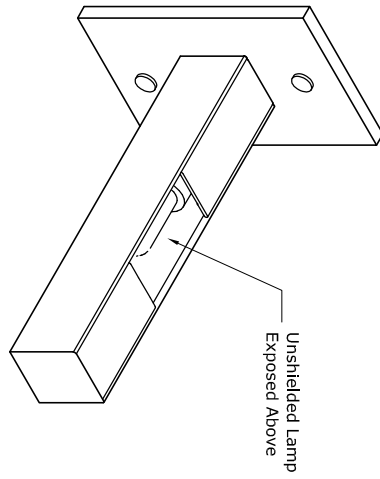
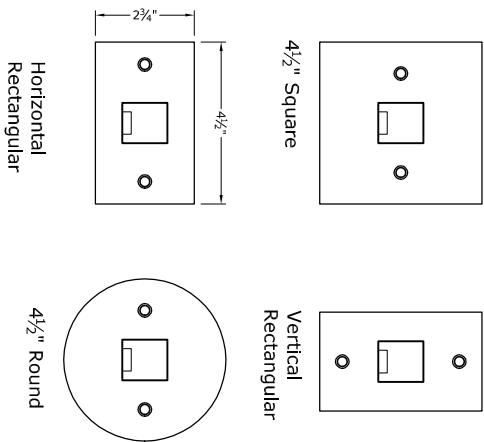


Notes:
 MM01A Mounting Method Depicted.
 See Mounting Methods For Other Options.



Mounting Plate Options:



MODULIGHTOR

customized modern lighting
 246 East 58th Street
 New York, NY 10022
 T (212) 371 0336 | F (212) 371 0335
 modulightor.com

SC11

Sconce - Minilux Up Down

SCALE: 4" = 1'-0" / 2" = 1'-0"