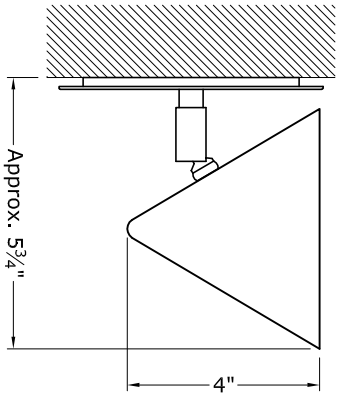
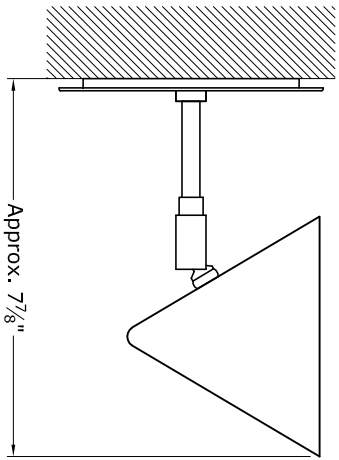


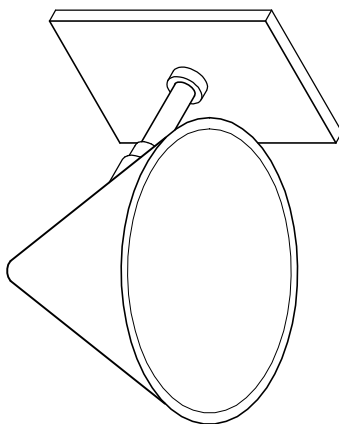
Note:
 MM01B Mounting Method Depicted.
 See Mounting Methods For Other Options.



No Stem
 (Screws Visible On Plate)

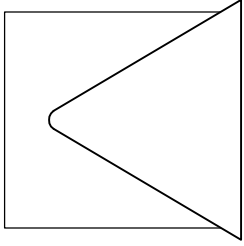


2" Stem

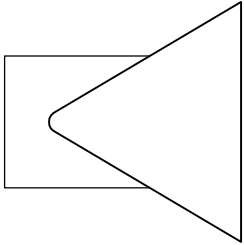


Isometric View

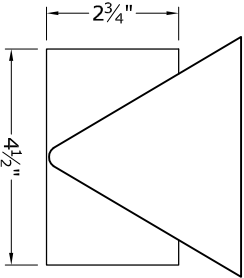
Mounting Plate Options
 (Screws Not Visible On Plate With Minimum of 2 Inch Stem) :



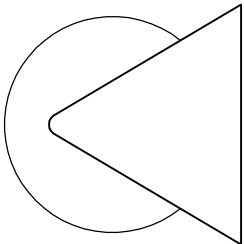
4 1/2" Square



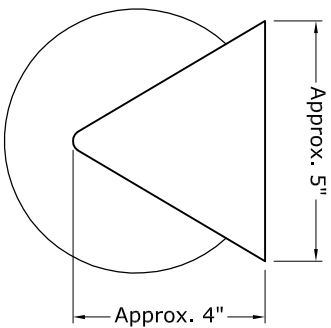
Vertical Rectangular



Horizontal Rectangular



4 1/2" Round



5 1/2" Round

MODULIGHTOR

customized modern lighting
 246 East 58th Street
 New York, NY 10022
 T (212) 371 0336 | F (212) 371 0335
 modulightor.com

SC121
 Sconce - Wagram

SCALE: 3" = 1'-0"