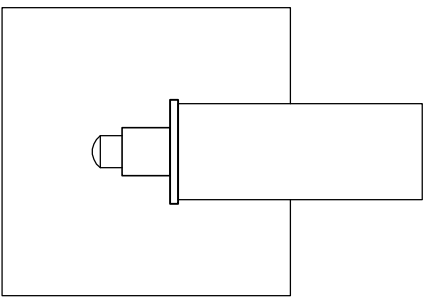


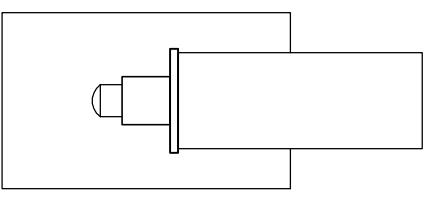
Isometric View

Note:
MM01B Mounting Method Depicted.
See Mounting Methods For Other Options.

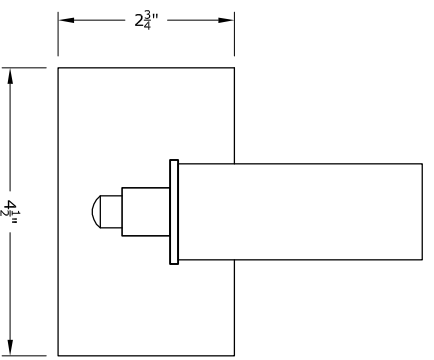
Mounting Plate
Options:



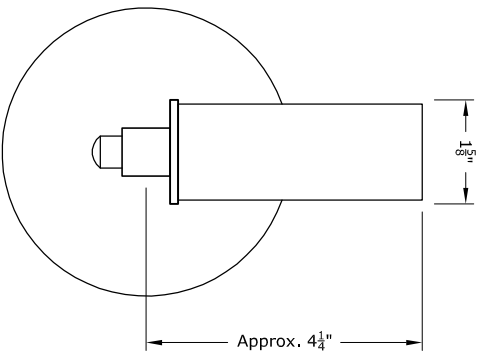
4 $\frac{1}{2}$ " Square



Vertical
Rectangular



Horizontal
Rectangular



4 $\frac{1}{2}$ " Round