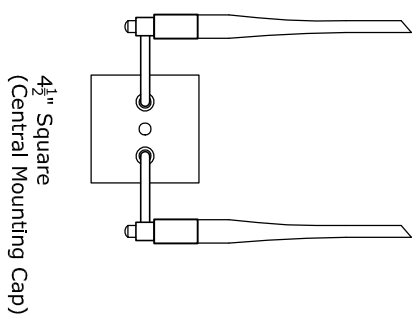
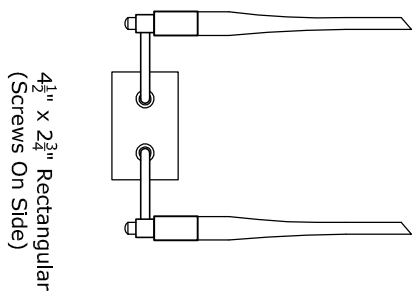


Notes:
MM01A And MM01C Mounting Method Depicted.
Electrical Box Must Be Specified Upon Order.

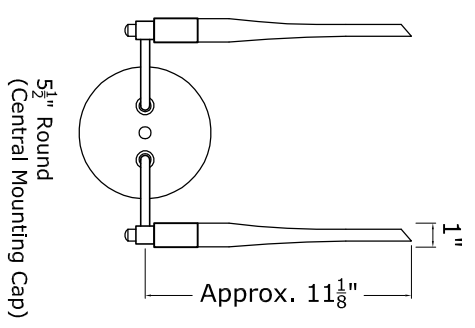
Mounting Plate Options (Screws Or Caps Visible On Plate) :



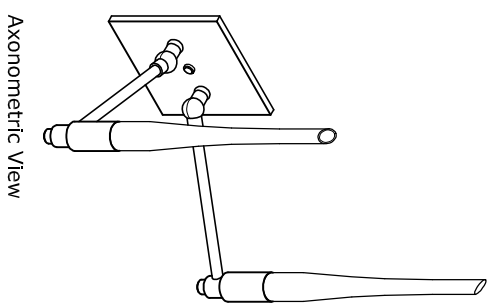
4 1/2" Square
(Central Mounting Cap)



4 1/2" x 2 1/4" Rectangular
(Screws On Side)



5 1/2" Round
(Central Mounting Cap)



Axonometric View