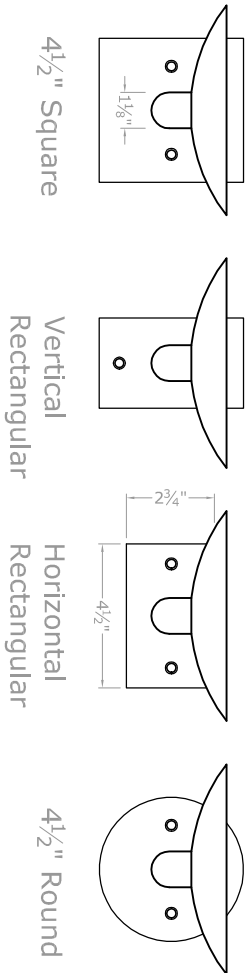
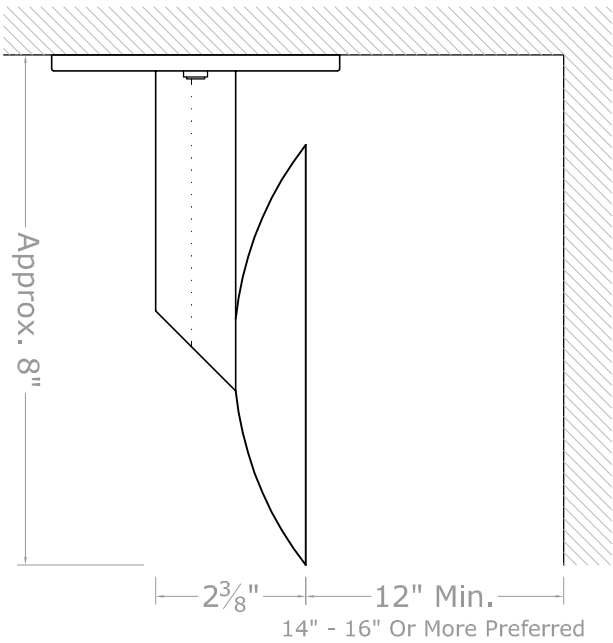
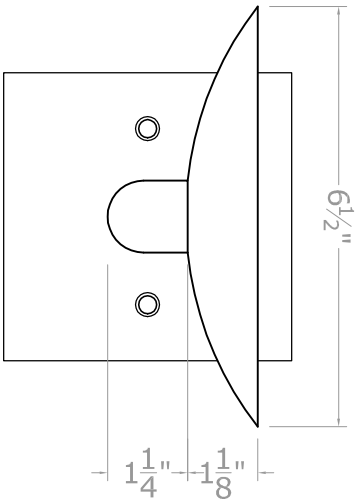


Mounting Plate Options:



Note:
MM01A Mounting Method Depicted.
See Mounting Methods For Other Options.
Not Available In White Or Black.



MODULIGHTOR

customized modern lighting
246 East 58th Street
New York, NY 10022
T (212) 371 0336 | F (212) 371 0335
modulightor.com

SC97

Sconce - Coupola HR (Half Round) Up

SCALE: 4" = 1'-0" / 2" = 1'-0"